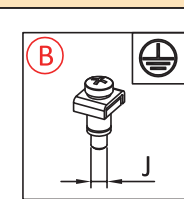
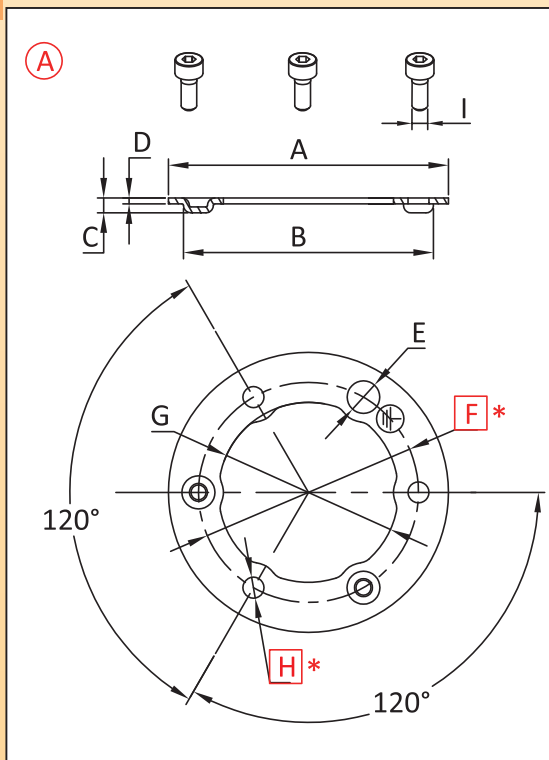
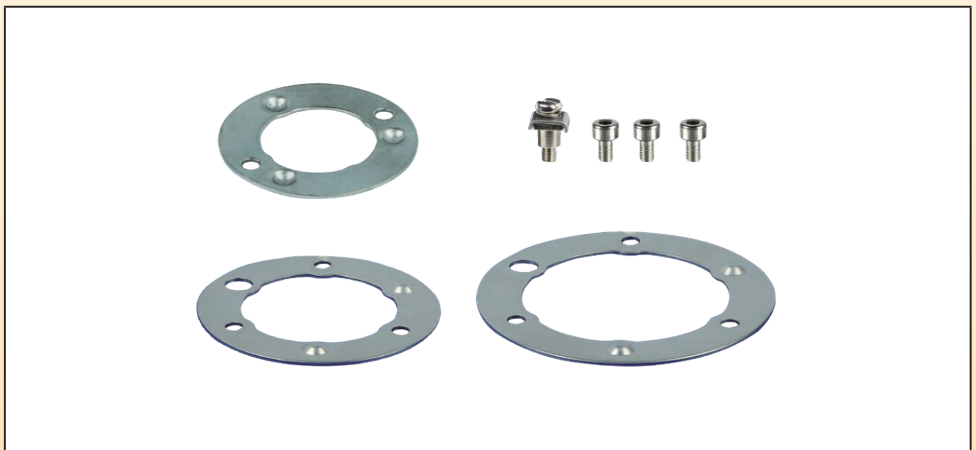


# Internal rotation stamped rings, for immersion heaters fittings

Minimum Size	Maximum Size	Material	Type	Model
1"	M77 × 2	Stainless steel AISI 304	Rotation flanges for fittings	<b>66XF</b>

Compatible with:	
☒ 66R2	☒ 66RJ
☒ 66R3	☒ 66RK
☒ 66R4	☒ 66RO
☒ 66R5	☒ 66RP
☒ 66R6	☒ 66RQ
☒ 66R7	☒ 66RR
☒ 66R8	☒ 66RU
☒ 66R9	☒ 66RV
☒ 66RE	☒ 66RW
☒ 66RF	☒ 66RY



	1"	1-1/4"	1-1/2"	M45x2	2"	2-1/2"	M77x2
A	∅45	∅56	∅56	∅56	∅66	∅90	∅90
B	∅40	∅50	∅50	∅50	∅60	∅77	∅77
C	3	3	3	3	3	3	3
D	1.2	1.2	1.2	1.2	1.2	1.2	1.2
E		∅6.5	∅6.5	∅6.5	∅6.5	∅7.5	∅7.5
F	∅36	∅44	∅44	∅44	∅54	∅70	∅70
G	∅26	∅36	∅36	∅36	∅46	∅60	∅60
H	∅4.1 (x2)	∅4.1 (x3)	∅4.1 (x3)	∅4.1 (x3)	∅4.1 (x3)	∅5.2 (x3)	∅5.2 (x3)
I	M4 (x2)	M4 (x3)	M4 (x3)	M4 (x3)	M4 (x3)	M5 (x3)	M5 (x3)
J	M4	M4	M4	M4	M4	M5	M5

### Main references

### Links

Dimension	(A)	(A) + (B)
1"	66XF236I120NU000	66XF236I120NU100
1-1/4" 1-1/2" M45x2	66XF344I120NU000	66XF344I120NU300
2"	66XF354I120NU000	66XF354I120NU300
2-1/2" M77x2	66XF370I120NU000	66XF370I120NU500

Page  
(.pdf)

Drawing 2D  
(.dwg)

Drawing 3D  
(.stp)

Red dimensions inside rectangular frames on drawings are used for assembly on enclosures or on fittings.

